

# SEDAR

— Since 1892 —

## RB 16-20 Roller Blind Motor Rail System - Somfy LT50 Ariane Technical Document

---



# About this Document

---

This document is a detailed technical resource for **the RB 16-20 Roller Blind Motor Rail System - Somfy LT50 Ariane**, offering in-depth specifications to aid engineers, installers, and architects in understanding the product's technical intricacies.

To access additional system documents, please click on the links provided below or scan the accompanying QR code for immediate redirection to the relevant document.



[16-20 Documents](#)



[Roller Blinds Fabric Specifications](#)

For inquiries about **the RB 16-20 Roller Blind Motor Rail System - Somfy LT50 Ariane** or to utilize our Projects Department's bespoke services, please contact us using the QR code below for guidance in transforming your spaces with innovation and style. Our team is ready to assist with product details, installation, and custom solutions, ensuring your design needs are expertly met.



Email: [projects@sedarglobal.com](mailto:projects@sedarglobal.com)

Projects Hotline: [+971502313453](tel:+971502313453)

# Table Of Contents

---

<b>About this Document</b>	<b>02</b>
<b>System Description</b>	<b>04</b>
<b>System Limitations</b>	<b>04</b>
<b>System Drawing</b>	<b>05</b>
<b>System Profile Drawings</b>	<b>06</b>
<b>Measurement Diagram</b>	<b>09</b>
<b>Measurement Instructions</b>	<b>10</b>
<b>Fitting Techniques</b>	<b>13</b>
<b>Installation Instructions</b>	<b>14</b>
<b>Operation/Control</b>	<b>17</b>
<b>Side Channel Options</b>	<b>18</b>
<b>Valance</b>	<b>20</b>
Standard Valance	20
<b>Double Bracket</b>	<b>21</b>
<b>Motorization</b>	<b>22</b>
<b>General Safety Instructions</b>	<b>23</b>
<b>Other Relevant Documents</b>	<b>24</b>
<b>Projects and Professionals Contact Information</b>	<b>24</b>

# System Description

---

The **Sedar RB 16-20 Roller Blind Motor Rail System - Somfy LT50 Ariane** is a versatile solution which features a 50 mm pipe that is suitable for residential, commercial, and larger spaces. This system is remote controlled, and automation compatible powered by Somfy LT50 Ariane that allows for wireless radio control of motorized window covering.

This system has a vast selection of fabric choices, offering custom-printed blinds for a personal touch. It is easy to install and compatible with substrates such as concrete, wood, reinforced gypsum, and metal.

This product comes with the following warranties:

Products	Warranties
Sunscreen Fabric	10 years
Blackout Fabric	1 year
Non-Blackout Fabric	1 year
Motor and System	10 years

# System Limitations

---

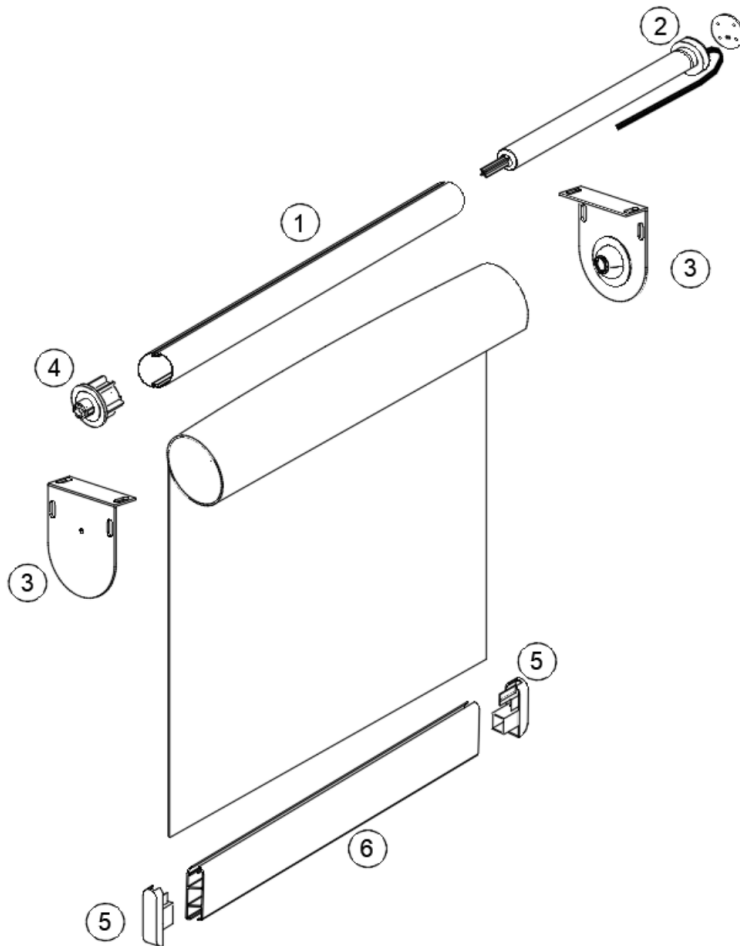
Description	Value
Tube	50 mm
Minimum Width	79 cm
Maximum Width	280 cm
Minimum Height	20 cm
Maximum Height	1000 cm

**Note:** Larger dimensions are allowed through Ultrasonic Welding.

# System Drawing

**System:** 16-20 Roller Blind Motor Rail System - Somfy LT 50 Ariane

**Operation:** Remote Controlled and Automation Compatible\*

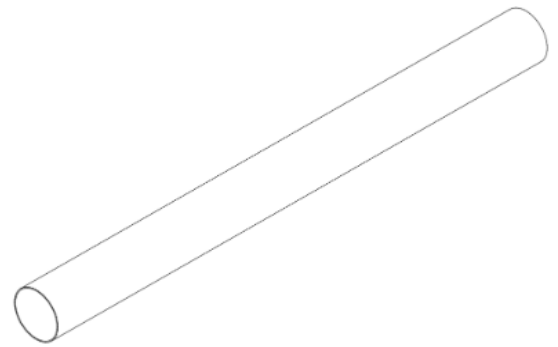
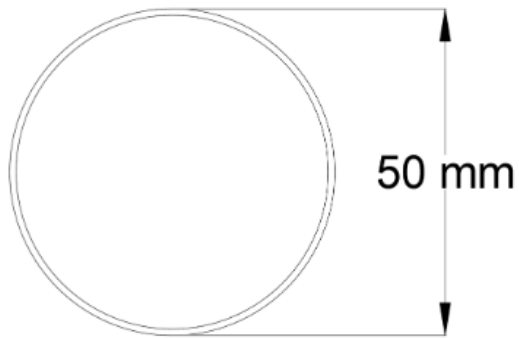


Part No.	Description
1	Roller Blinds Top Tube - Aluminum
2	Somfy LT50 Ariane
3	Bracket for RB 16-20 System
4	End Plug
5	Bottom Rail End Cap
6	Powder Coated Bottom Rail

\***Note:** Contact your system integrator for automation system.

# Profile Drawings

---



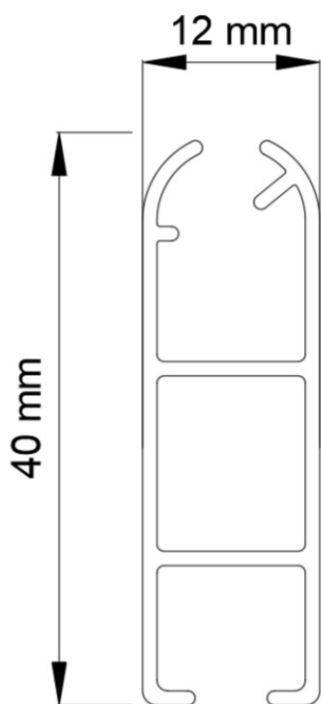
**Tube size (50 mm)**

**Material:** Aluminum

**Aluminum Grade:** 6063 - T6

**Thickness:** 1.5 mm




**Perspective**

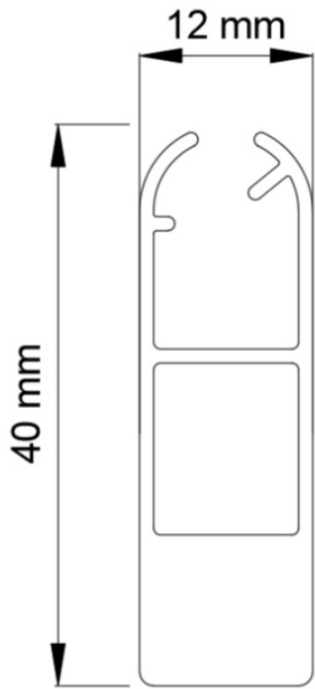


**Light Bottom Rail (Standard)**

**Material:** Aluminum

**Aluminum Grade:** 6063 - T6

Color		
Cream	Gray	White
		

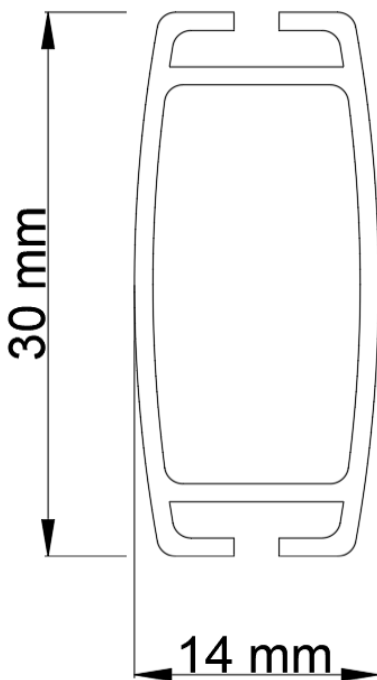


**Heavy Bottom Rail (For Request)**

**Material:** Aluminum

**Aluminum Grade:** 6063 - T6

Color		
Cream	Gray	White
●	●	○



**Covered Bottom Rail (For Request)**

**Material:** Aluminum

**Aluminum Grade:** 6063 - T6

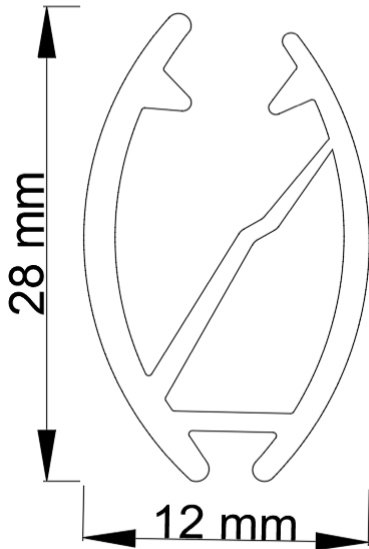
**Note:** This bottom rail is wrapped with the same fabric material as the blind.






Color		
Cream	Gray	White
●	●	○

**Elite Bottom Rail (For Request)**

Material: Aluminum

Aluminum Grade: 6063 - T6



Color		
Silver 	Gold Brushed 	Black 
Rose Brushed 	Copper Brushed 	

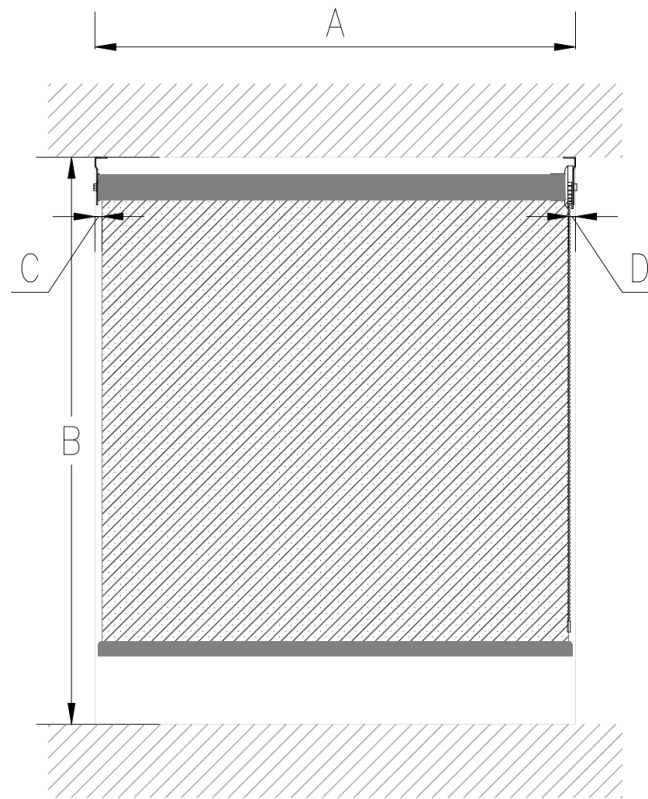


*Elite Bottom Rail with their Colors (For Request)*



# Measurement Diagram

---



**A-** System width. If the roller is mounted inside the window frame, reduce the width by 1 cm. For outdoor mounting, we recommend adding 10 cm on each side.

**B-** System height

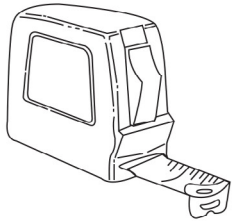
**C-** Light gap on left side 25 mm

**D-** Light gap on right side 25 mm

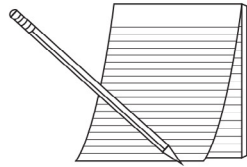
# Measurement Instructions

---

## Tools Needed



1. Measuring tape (metal)



2. Pencil and notepad

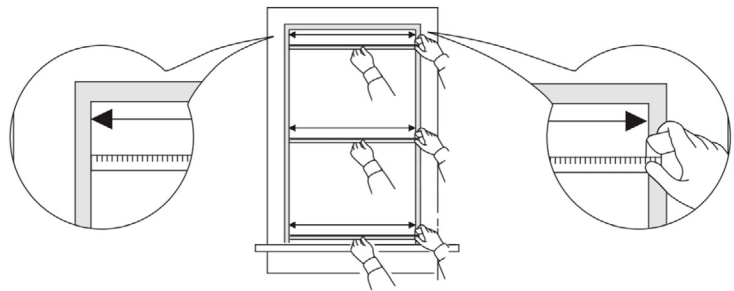


3. Step ladder

## Inside Mount Roller Blinds Measurement Instructions

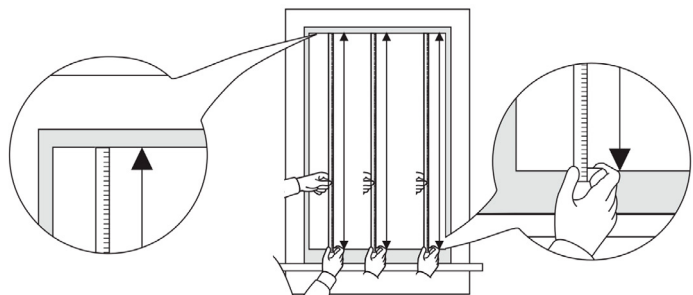
### Step 1:

Measure the top, middle, and bottom then record the narrowest.



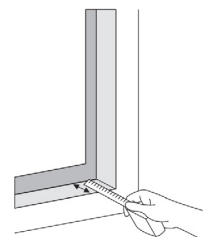
### Step 2:

Measure the left center and right center then record the longest height.



### Step 3:

Measure and record the depth of the window.

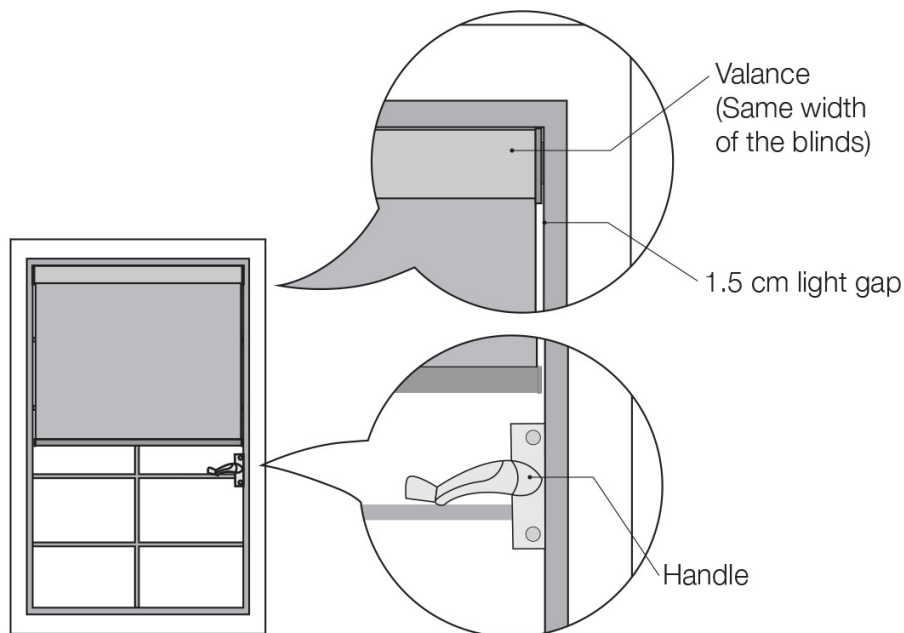


**Note:** The minimum depth required (without valance) is 8.5 cm for a flush look.

# Things to consider

## Considerations for Valance (Optional):

- Valance measurement should equal the window width.
- Expect gaps (2.5 cm) on the sides.
- Pay attention to door knobs and handles. If they are present, think about opting for an outside mount.
- Note that with the cassette, the blind cannot roll outwards, only inside rolling is possible.
- Minimum depth required for valance is 10 cm.



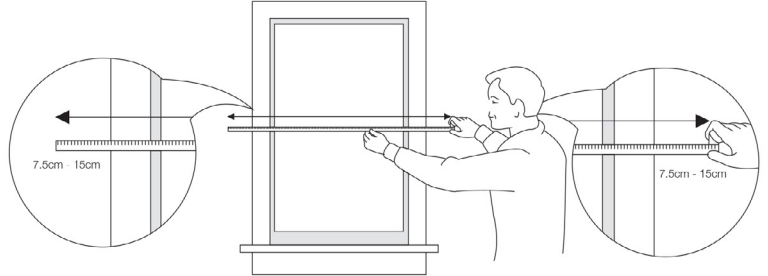
# Outside Mount Roller Blinds Measurement Instructions

## Step 1:

Measure the middle width of the window.

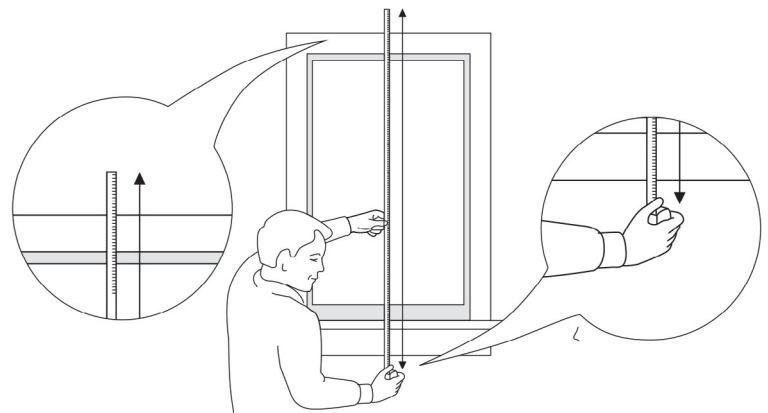
## Step 2:

Add 7.5 cm - 15 cm to each side to minimize light penetration.



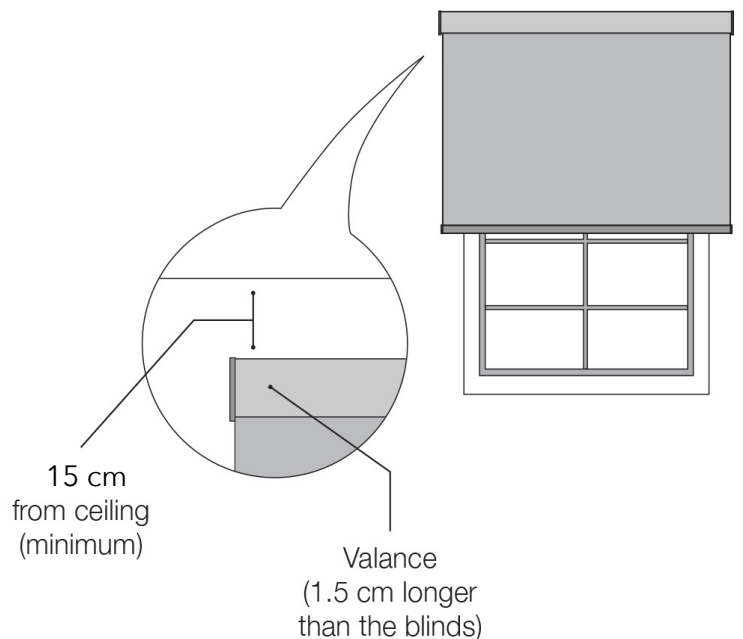
## Step 3:

Measure the height from the middle of the window. The height will depend on your measurement.



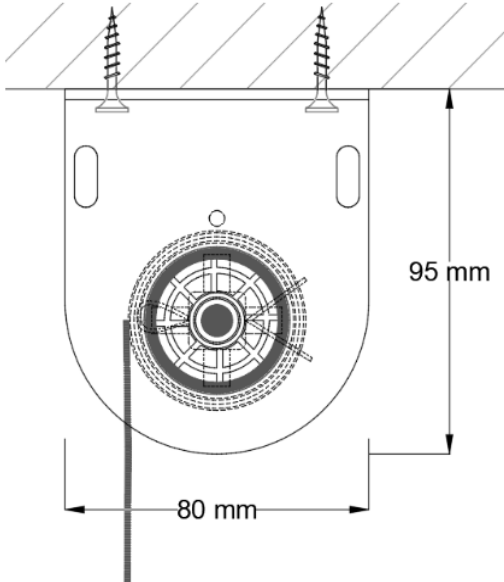
## Considerations for Valance:

- Cornice and valance measurements will be automatically manufactured 1.5 cm wider than the blinds.
- Maintain a minimum of 15 cm above the window for installation.

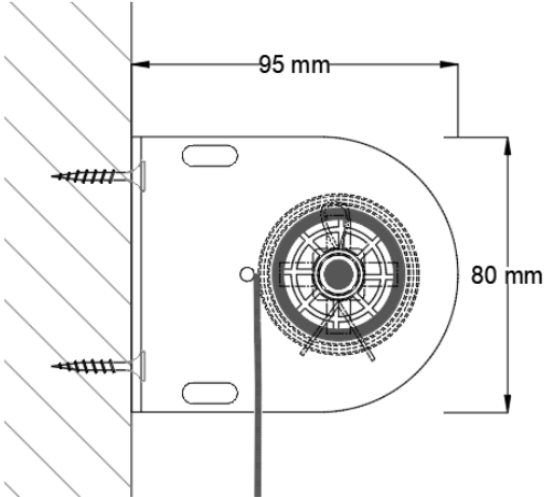


# Fitting Techniques

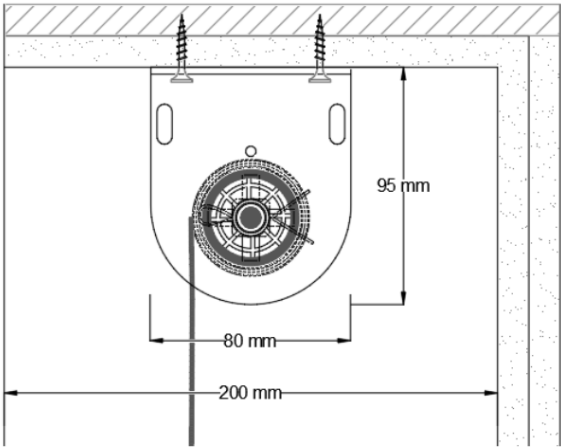
**Note:** 80 mm clear surface area is required for installation and a drop of 95 mm.



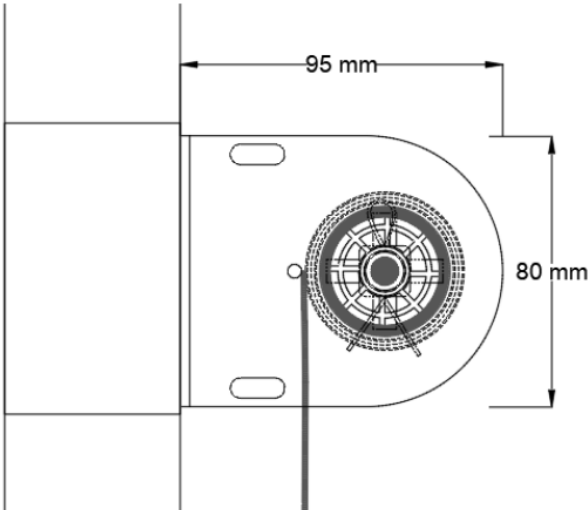
**Ceiling Mount**



**Wall Mount**



**Recess Mount**

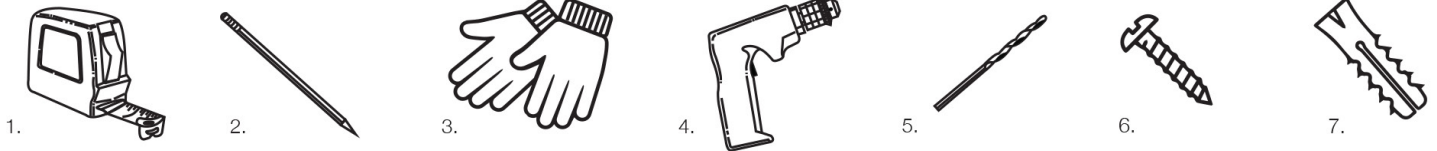


**Glue Mount**

# Installation Instructions

---

## Tools needed



1. Measuring tape (metal)

2. Pencil (for marking)

3. Work gloves

4. Drill Machine

5. Drill Bit

6. Screws

7. Wall Plug (Wall Anchor)

The requirement for each type of installation to provide strength and corrosion resistance in various types of installation surface applications:

1. Aluminum - Stainless steel self-drilling screws.

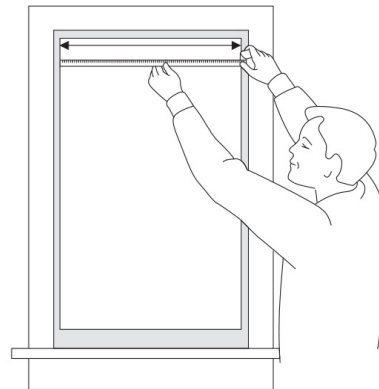
2. Concrete - 6 mm screws and plugs are required for installation.

3. Gypsum - Special butterfly screws and plugs are required for installation.

## Installation Steps:

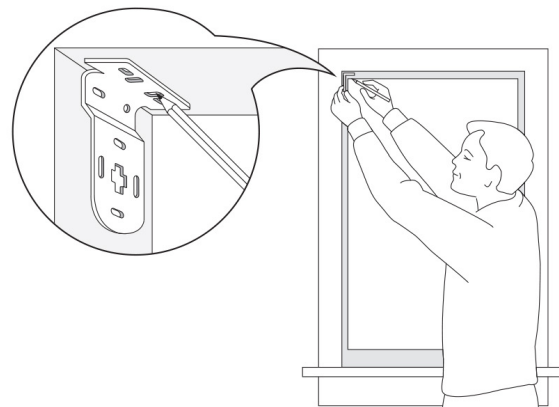
### Step 1:

Measure the wall, ceiling, and window.



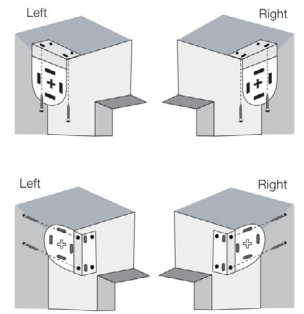
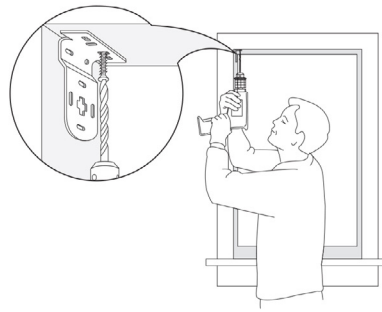
### Step 2:

Mark the position of the first bracket.



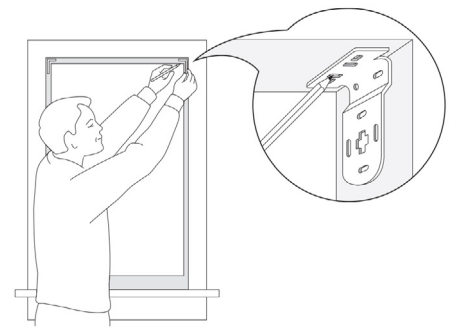
**Step 3:**

Fix the first bracket using a drill or screwdriver.



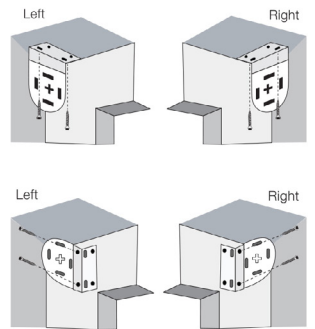
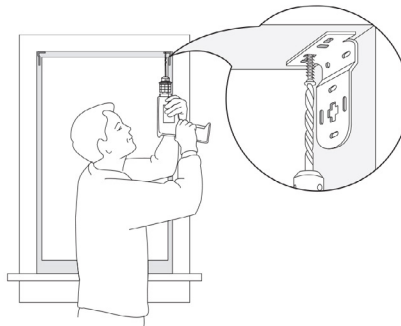
**Step 4:**

Measure and mark the position of the second bracket, ensuring it aligns with the first.



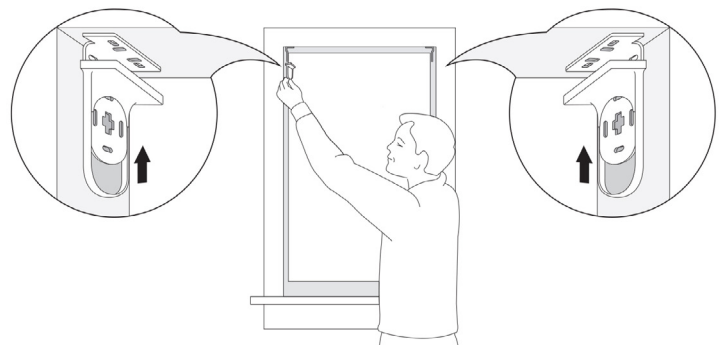
**Step 5:**

Install the second bracket using a drill.



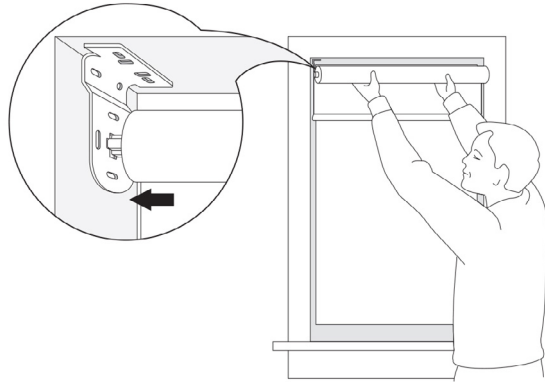
**Step 6:**

Attach the bracket cover on both sides.



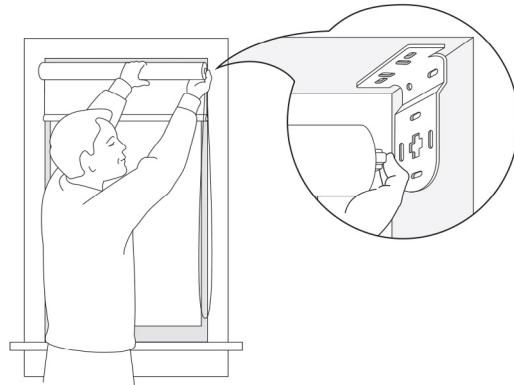
**Step 7:**

Insert the roller blind on one side.



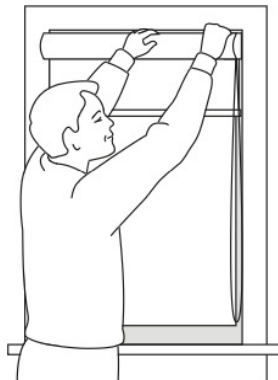
**Step 8:**

Insert the other end by pushing the spring inwards into the bracket.



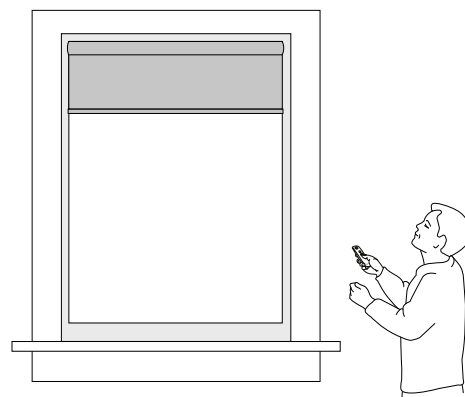
**Step 9:**

Test if the roller shades is installed properly. Do not exert too much pressure.



**Step 10:**

Check if it's working correctly using the Somfy remote control.



**Tip**

- Alignment of brackets should be exact to avoid damaging the product.



# Operation/Control

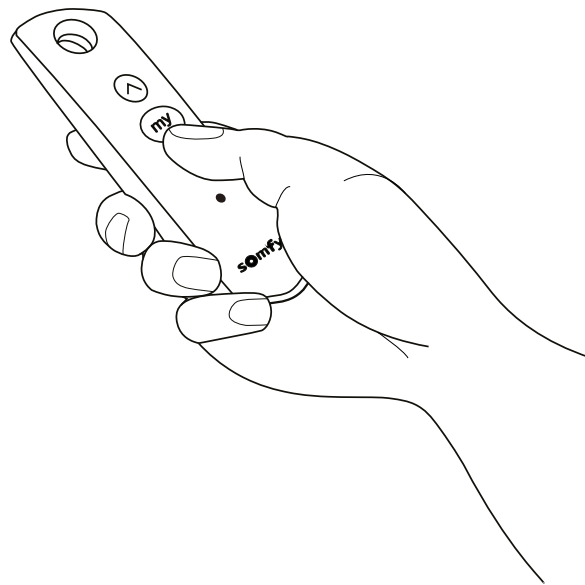
---

Raising or Lowering:

Step 1: Press the 'down' button on your Somfy remote control to close the blind.

Step 2: Press the 'up' button on your Somfy remote control to open the blind.

You can press the "My" buttons on your Somfy remote



# Product Maintenance and Cleaning

---

- Regularly dust with a feather duster or soft cloth.
- For thorough dust removal, use a hand-held vacuum with low suction.
- CAUTION: Avoid harsh detergents.

# Side Channel Option

A side channel is a vertical guide installed on either side of a window to slot the edges of the blind fabric, enhancing functionality and aesthetics.

The set includes an aluminum cassette, side channel profiles, and a bottom bar in standard white, cream, or beige finishes.



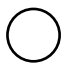

The fabric edges are secured with a dual brush insert, and operation is through a stainless steel ball chain.

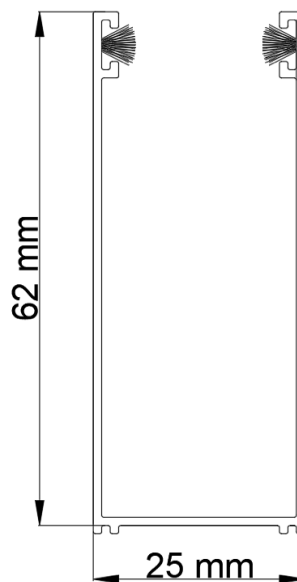
## Single Side Channel

**Material:** Aluminum

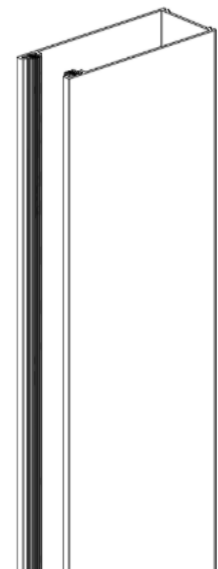
**Aluminum Grade:** 6063 - T6

**Thickness:** 1.5 mm

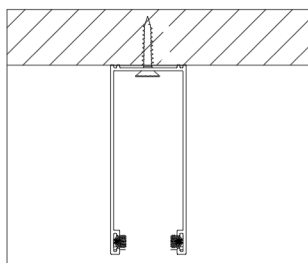
Color	
Cream 	Gray 
White 	Mill Finish 



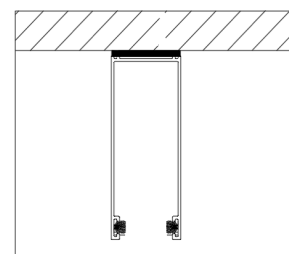
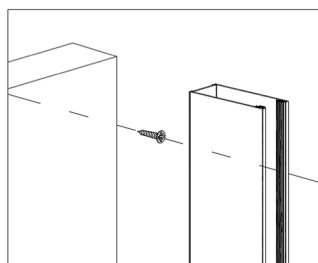
Profile



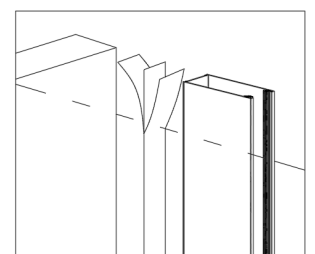
Perspective



Screw mounting technique



Double-sided tape mounting technique






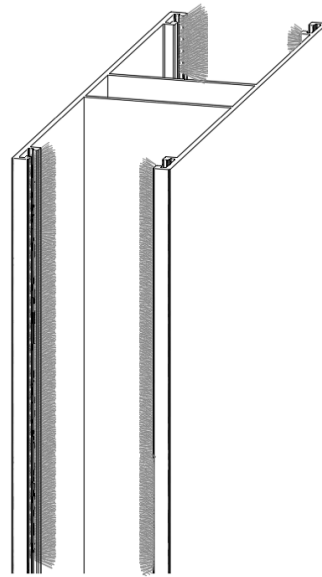
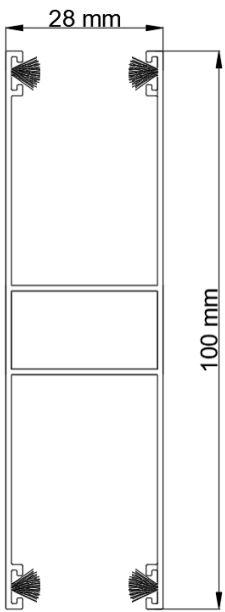
# Double Side Channel

Material: Aluminum

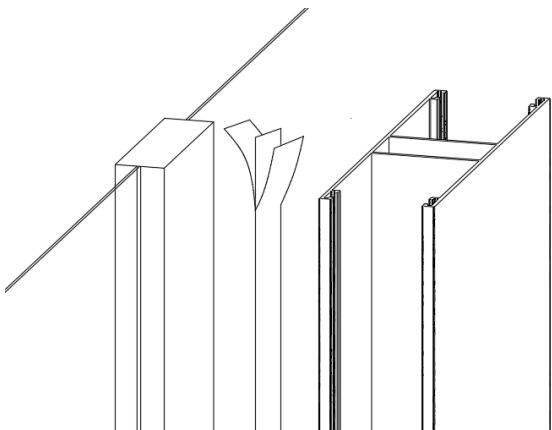
Aluminum Grade: 6063 - T6

Thickness: 1.5 mm

Color		
Mill Finish	Gray	White
		



Secure two or more sequential roller blinds on aluminum surfaces for light-blocking purposes and enhanced aesthetics, utilizing either double-sided tape or adhesive.



Installing on aluminum using double sided tape

# Valance

A valance improves roller blinds by concealing the top pipe and hardware. It shields the mechanism from dust and damage, reducing maintenance and extending system life.

## Standard Valance

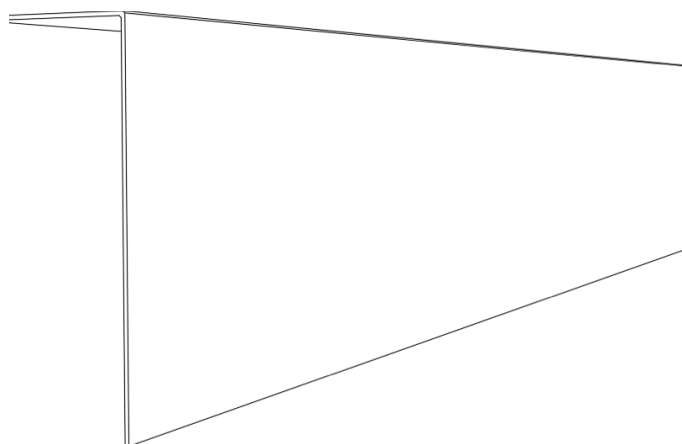
System Code: 16-71

Material: Aluminum

Aluminum Grade: 6063 - T6



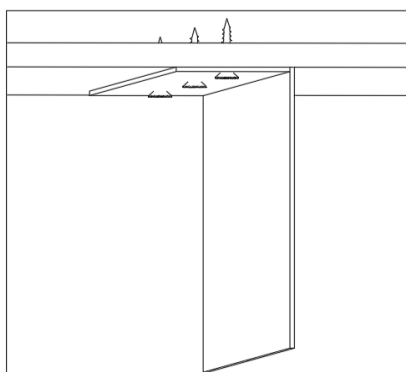
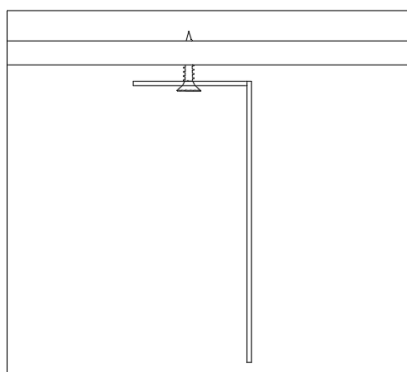
Profile



Perspective

## Standard Valance Fitting Diagram

1. Measure and mark valance location on ceiling.
2. Drill holes, insert anchors.
3. Place valance and ensure it's centered and level.
4. Double-check alignment, adjust if needed.
5. Wipe away marks and dust.



# Double Bracket

---

The **RB 16-20 Roller Blind Motor Rail System - Somfy LT50 Ariane** doesn't have the double bracket feature. Use the QR code or the link below to see our product options that offer the double bracket feature.



[RB 16-11 Roller Blind Manual System 40](#)



[RB 16-12 Roller Blind Manual System 45](#)

# Motorization

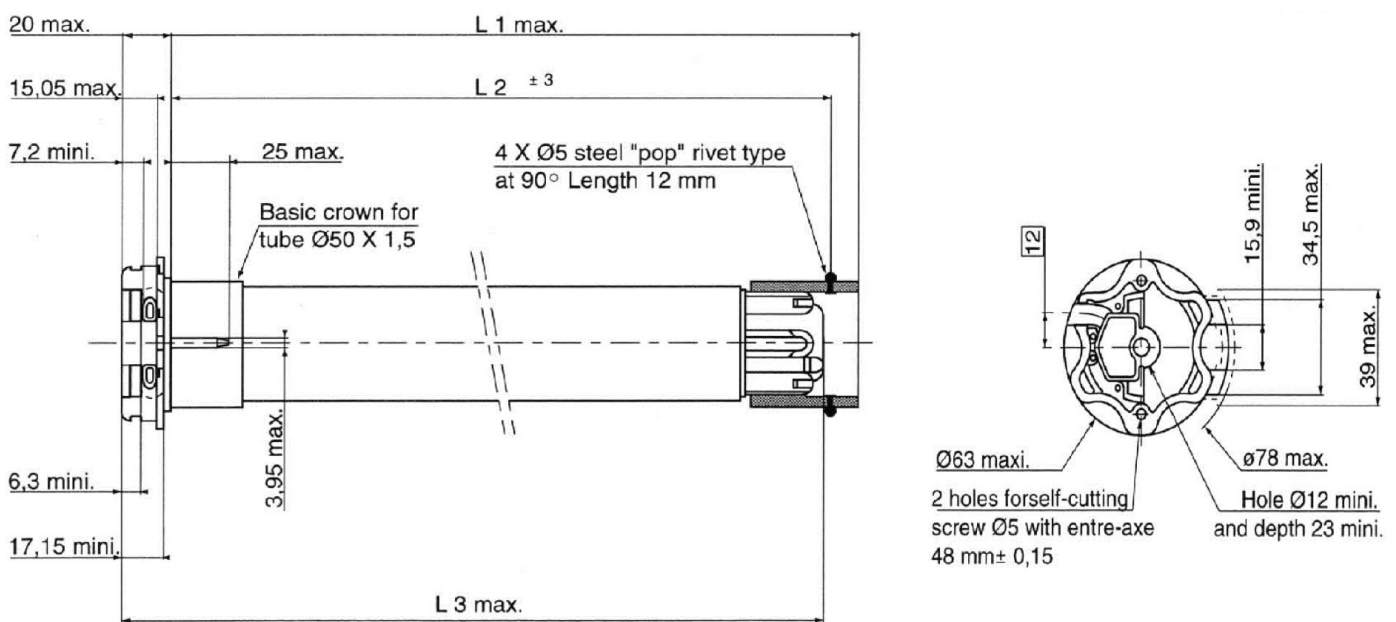
The **RB 16-20 Roller Blind Motor Rail System - Somfy LT50 Ariane** is powered by Somfy LT50 Ariane WT.

The Somfy LT50 Ariane WT is a motor designed for interior window coverings, known for its high speed and ease of use. The system supports Wired Technology (WT) that offers control via power switching.

## Technical Features

Nominal Voltage	230 V / 50 Hz		
Index Protection Rating	IP 44		
Limit Switch Type	Rapid limit switch unit (with buttons)		
Limit Switch Capacity	46 shaft turns		
Temperature Working Range	-25°C to 70°C		
Insulation Class	Class I		
Power Supply Tolerances	207V - 244V / 47 Hz - 52 Hz		
Thermal Time	4 minutes		

## Dimension and Specification



For more information, you can visit: <https://www.somfy.com/en-en/>

# General Safety Instructions

---

**Ensure adults adhere to these safety guidelines provided by Sedar:**

- If the blind is not raised or lowered evenly, it can become damaged.
- If the fabric is not level as it rolls, it may wrap around the tube incorrectly, leading to wrinkles and could tear over time.
- Never immerse the motor in liquid.
- Never drill holes in the motor.
- Do not drop the motor and avoid impacts.
- Follow safety standards during product installation and maintenance.

# Other Relevant Documents

---

To further explore **the RB 16-20 Roller Blind Motor Rail System - Somfy LT50 Ariane**, please click the links below or scan the QR codes. These will direct you to our System Brochure and Technical Summary, offering in-depth information and visual guides to assist in your project planning.



[16-20 Documents](#)



[Roller Blinds Fabric Specifications](#)

# Projects and Professionals Contact Information

---

For inquiries about **the RB 16-20 Roller Blind Motor Rail System - Somfy LT50 Ariane** or to utilize our Projects Department's bespoke services, please contact us. Our team is ready to assist with product details, installation, and custom solutions, ensuring your design needs are expertly met. Contact us using the QR code below for guidance in transforming your spaces with innovation and style.



Email: [projects@sedarglobal.com](mailto:projects@sedarglobal.com)

Projects Hotline: [+971502313453](tel:+971502313453)